



## PRODUCT CODE:

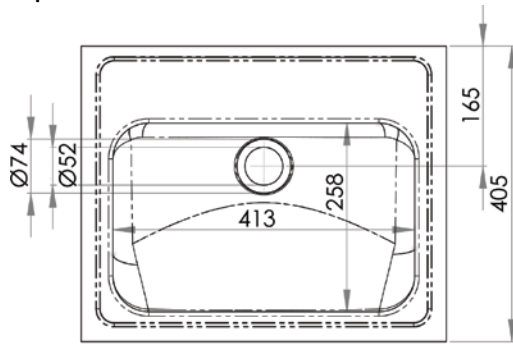
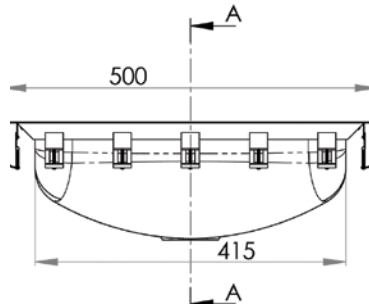
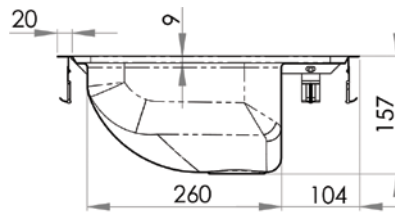
**HBF01**

This inset hand basin features a mirror polish finish and comes complete with fixing clips and seal for bench mounting.

**FEATURES & BENEFITS:**

- 11.5 litre capacity
- Constructed from 1mm 304 grade stainless steel
- Mirror polish finish
- 40mm outlet - Suits PW40
- Comes complete with fixing clips and seal
- Available in 1, 2 and 3 tap hole configurations on request

*In stock and available for immediate delivery*

**Top****Front****Cross Section**

*Details accurate at time of print. Whilst all care has been taken in compiling this information, designs & dimensions shown are indicative only and should not be relied upon without prior approval.*